



ENCORE BURST 200



User Manual

©2021 ADJ Products, LLC all rights reserved. Information, specifications, diagrams, images, and instructions herein are subject to change without notice. ADJ Products, LLC logo and identifying product names and numbers herein are trademarks of ADJ Products, LLC. Copyright protection claimed includes all forms and matters of copyrightable materials and information now allowed by statutory or judicial law or hereinafter granted. Product names used in this document may be trademarks or registered trademarks of their respective companies and are hereby acknowledged. All non-ADJ Products, LLC brands and product names are trademarks or registered trademarks of their respective companies.

ADJ Products, LLC and all affiliated companies hereby disclaim any and all liabilities for property, equipment, building, and electrical damages, injuries to any persons, and direct or indirect economic loss associated with the use or reliance of any information contained within this document, and/or as a result of the improper, unsafe, insufficient and negligent assembly, installation, rigging, and operation of this product.

ADJ USA | 6122 S. Eastern Ave. | Los Angeles, CA. 90040
 323-582-2650 | 323-532-2941 fax | www.adj.com | support@americandj.com

ADJ Supply Europe B.V. | Junostraat 2 | 6468 EW Kerkrade, The Netherlands
 +31 (0)45 546 85 00 | +31 45 546 85 99 fax | www.adj.eu | support@adjgroup.eu

ADJ Mexico | AV Santa Ana 30 | Parque Industrial Lerma, Lerma, Mexico 52000
 +52 (728) 282-7070

DOCUMENT VERSION



Due to additional product features and/or enhancements, an updated version of this document may be available online.

Please check www.adj.com for the latest revision/update of this manual

Date	Document Version	Software Version	DMX Channels	Notes
07/25/18	1.2	1.2	1 / 2 / 3 / 4 / 5 / 6	Updated Release
11/06/18	1.4	1.3	1 / 2 / 2A / 3 / 4 / 6	Added DMX 2A Channel Mode and Gamma Brightness setting 2.6
03/22/19	1.6	N/C	No Change	Updated Installation Instructions
04/10/19	1.8	N/C	No Change	Added dimensional drawings for yoke
07/16/19	1.9	N/C	No Change	Added safety cable installation image
06/03/21	2.0	N/C	No Change	Corrected system menu chart
06/25/21	2.1	N/C	No Change	Updated channel modes in system menu
08/16/21	2.2	N/C	No Change	Updated installation instructions

TABLE OF CONTENTS

General Information	4
Limited Warranty (USA Only)	5
Safety Guidelines	6
Maintenance Guidelines	8
Fixture Overview	9
Installation Instructions	10
System Menu	18
Dimming Curve	21
DMX Channel Functions and Values	22
Specifications FCC Statement	23
Dimensional Drawings	24

GENERAL INFORMATION

INTRODUCTION

This fixture has been designed to perform reliably for years when the information in this manual are followed. Please read and understand all the instructions and guidelines carefully and thoroughly before operating this unit. This manual contains important information regarding safety, installation, use, and maintenance.

UNPACKING

Each fixture has been thoroughly tested and shipped in perfect operating condition. Carefully check the outer shipping carton for signs of any damage that may have occurred during shipping. If the outer carton appears to be damaged, carefully inspect the fixture for damage and be sure all included accessories have arrived intact. In the event damage has been found and/or parts are missing, please contact our customer support team for further instructions. Please do NOT return this fixture to your dealer without first contacting customer support at the number listed below. Please do NOT discard the outer shipping carton in the trash. Please recycle whenever possible.

CUSTOMER SUPPORT: Contact ADJ Service for any product related service and support needs. Also visit forums.adj.com with questions, comments or suggestions.

ADJ SERVICE USA - Monday - Friday 8:00am to 4:30pm PST

Voice: 800-322-6337 | Fax: 323-582-2941 | support@adj.com

ADJ SERVICE EUROPE - Monday - Friday 08:30 to 17:00 CET

Voice: +31 45 546 85 60 | Fax: +31 45 546 85 96 | support@adj.eu

REPLACEMENT PARTS please visit parts.adj.com

WARRANTY RETURNS

All returned service items, whether under warranty or not, must be freight pre-paid and accompanied by a return authorization (R.A.) number. The R.A. number must be clearly written on the outside of the return package. A brief description of the problem as well as the R.A. number must also be written down on a piece of paper and included in the shipping container. If the unit is under warranty, you must provide a copy of your proof of purchase invoice. Items returned without an R.A. number clearly marked on the outside of the package will be refused and returned at customer's expense. You may obtain an R.A. number by contacting customer support.

LIMITED WARRANTY (USA ONLY)

- A. ADJ Products, LLC hereby warrants, to the original purchaser, ADJ Products, LLC products to be free of manufacturing defects in material and workmanship for a prescribed period from the date of purchase (see specific warranty periods below). This warranty shall be valid only if the product is purchased within the United States of America, including possessions and territories. It is the owner's responsibility to establish the date and place of purchase by acceptable evidence, at the time service is sought.
- B. For warranty service you must obtain a Return Authorization number (RA#) before sending back the product—please contact ADJ Products, LLC Service Department at 800-322-6337. Send the product only to the ADJ Products, LLC factory. All shipping charges must be pre-paid. If the requested repairs or service (including parts replacement) are within the terms of this warranty, ADJ Products, LLC will pay return shipping charges only to a designated point within the United States. If the entire instrument is sent, it must be shipped in its original package. No accessories should be shipped with the product. If any accessories are shipped with the product, ADJ Products, LLC shall have no liability whatsoever for loss of or damage to any such accessories, or for the safe return thereof.
- C. This warranty is void if the serial number has been altered or removed; if the product is modified in any manner which ADJ Products, LLC concludes, after inspection, affects the reliability of the product; if the product has been repaired or serviced by anyone other than the ADJ Products, LLC factory unless prior written authorization was issued to purchaser by ADJ Products, LLC; if the product is damaged because not properly maintained as set forth in the instruction manual.
- D. This is not a service contract, and this warranty does not include maintenance, cleaning or periodic checkup. During the period specified above, ADJ Products, LLC will replace defective parts at its expense with new or refurbished parts and will absorb all expenses for warranty service and repair labor by reason of defects in material or workmanship. The sole responsibility of ADJ Products, LLC under this warranty shall be limited to the repair of the product, or replacement thereof, including parts, at the sole discretion of ADJ Products, LLC. All products covered by this warranty were manufactured after August 15, 2012, and bear identifying marks to that effect.
- E. ADJ Products, LLC reserves the right to make changes in design and/or improvements upon its products without any obligation to include these changes in any products theretofore manufactured. No warranty, whether expressed or implied, is given or made with respect to any accessory supplied with products described above. Except to the extent prohibited by applicable law, all implied warranties made by ADJ Products, LLC in connection with this product, including warranties of merchantability or fitness, are limited in duration to the warranty period set forth above. And no warranties, whether expressed or implied, including warranties of merchantability or fitness, shall apply to this product after said period has expired. The consumer's and/or Dealer's sole remedy shall be such repair or replacement as is expressly provided above; and under no circumstances shall ADJ Products, LLC be liable for any loss or damage, direct or consequential, arising out of the use of, or inability to use, this product. This warranty is the only written warranty applicable to ADJ Products, LLC Products and supersedes all prior warranties and written descriptions of warranty terms and conditions heretofore published.

LIMITED WARRANTY PERIODS

- **Non-LED Lighting Products = 1-Year (365 Days)** (Including Special Effect Lighting, Intelligent Lighting, UV lighting, Strobes, Fog Machines, Bubble Machines, Mirror Balls, Par Cans, Trussing, Lighting Stands, Power/Data Distribution, etc. excluding LED and lamps)
- **Laser Products = 1-Year (365 Days)** (excluding laser diodes which have a 6-Month Limited Warranty)
- **LED Products = 2-Year (730 Days)** (excluding batteries which have a 180 Day Limited Warranty)
PLEASE NOTE: 2-Year (730 Days) Limited Warranty ONLY applies to product purchased within the USA.
- **StarTec Series = 1-Year (365 Days)** (excluding batteries which have a 180 Day Limited Warranty)
- **ADJ DMX Controllers = 2 Year (730 Days)**
- **American Audio Products = 1 Year (365 Days)**

SAFETY GUIDELINES

This fixture is a sophisticated piece of electronic equipment. To guarantee smooth operation, it is important to follow all instructions and guidelines in this manual. ADJ is not responsible for injury and/or damages resulting from the misuse of this fixture due to the disregard of the information printed in this manual. Only qualified and/or certified personnel should perform installation of this fixture and only the original rigging parts (omega brackets) included with this fixture should be used for installation. Any modifications to the fixture and/or the included mounting hardware will void the original manufacturer's warranty and increase the risk of damage and/or personal injury.



PROTECTION CLASS 1 - FIXTURE MUST BE PROPERLY GROUNDED.



THERE ARE NO USER SERVICEABLE PARTS INSIDE THIS UNIT. DO NOT ATTEMPT ANY REPAIRS YOURSELF, AS DOING SO WILL VOID YOUR MANUFACTURER'S WARRANTY. DAMAGES RESULTING FROM MODIFICATIONS TO THIS FIXTURE AND/OR THE DISREGARD OF SAFETY INSTRUCTIONS AND GUIDELINES IN THIS MANUAL VOID THE MANUFACTURER'S WARRANTY AND ARE NOT SUBJECT TO ANY WARRANTY CLAIMS AND/OR REPAIRS.



**DO NOT PLUG FIXTURE INTO A DIMMER PACK!
NEVER OPEN THIS FIXTURE WHILE IN USE!
DISCONNECT FIXTURE FROM POWER BEFORE SERVICING!
NEVER TOUCH THE FIXTURE DURING OPERATION, AS IT MAY BE HOT!
KEEP FLAMMABLE MATERIALS AWAY FROM THE FIXTURE!**



**NEVER LOOK DIRECTLY INTO THE LIGHT SOURCE!
RETINA INJURY RISK - MAY INDUCE BLINDNESS!
SENSITIVE PERSONS MAY SUFFER AN EPILEPTIC SHOCK!**



**MAXIMUM EXTERNAL SURFACE TEMPERATURE: 185° F (85° C)
MAXIMUM AMBIENT TEMPERATURE: 104° F (40° C)**

SAFETY GUIDELINES

- **DO NOT TOUCH** the fixture housing during operation.
- Turn OFF the power and allow approximately 15 minutes for the fixture to cool down before serving.
- **DO NOT** shake fixture, avoid brute force when installing and/or operating fixture.
- **DO NOT** operate fixture if the power cord is frayed, crimped, damaged and/or if any of the power cord connectors are damaged and do not insert into the fixture securely with ease.
- **NEVER** force a power cord connector into the fixture. If the power cord or any of its connectors are damaged, replace it immediately with a new one of similar power rating.
- **DO NOT** block any air ventilation slots. All fan and air inlets must remain clean and never blocked.
- Allow approx. 6" (15cm) between fixture and a wall for proper cooling.
- When installing fixture in a suspended environment, always use mounting hardware that is at least M10 x 25 mm, and always install fixture with an appropriately rated safety cable.
- Always disconnect fixture from main power source before performing any type of service and/or cleaning procedure.
- Only handle the power cord by the plug end, and never pull out the plug by tugging the wire portion of the cord.
- During the initial operation of this fixture, a light smoke or smell may emit from the interior of the fixture. This is a normal process and is caused by excess paint in the interior of the casing burning off from the heat associated with the lamp and will decrease gradually over time.
- Consistent operational breaks will ensure fixture will function properly for many years.
- In the event that the fixture needs to be returned for servicing, use only the original packaging and materials to transport the fixture.

MAINTENANCE GUIDELINES



DISCONNECT POWER BEFORE PERFORMING ANY MAINTENANCE!

CLEANING

Frequent cleaning is recommended to insure proper function, optimized light output, and an extended life. The frequency of cleaning depends on the environment in which the fixture operates: damp, smoky, or particularly dirty environments can cause greater accumulation of dirt on the fixture's optics. Clean the external lens surface regularly with a soft cloth to avoid dirt/debris accumulation.

NEVER use alcohol, solvents, or ammonia-based cleaners.

MAINTENANCE

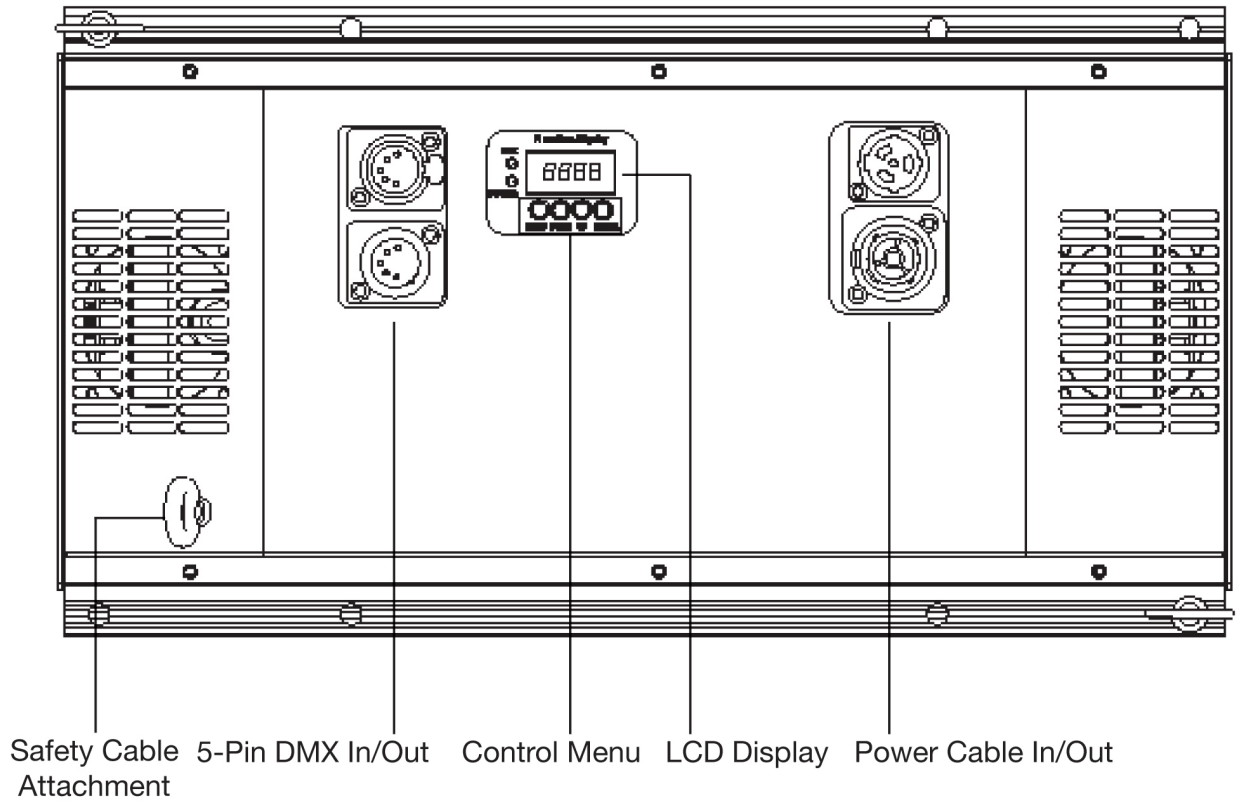
Regular inspections are recommended to insure proper function and extended life. There are no user serviceable parts inside this fixture. Please refer all other service issues to an authorized Elation service technician. Should you need any spare parts, please order genuine parts from your local Elation dealer.

Please refer to the following points during routine inspections:

- A detailed electrical check by an approved electrical engineer every three months, to make sure the circuit contacts are in good condition and prevent overheating.
- Be sure all screws and fasteners are securely tightened at all times. Loose screws may fall out during normal operation, resulting in damage or injury as larger parts could fall.
- Check for any deformations on the housing, color lenses, rigging hardware, and rigging points (ceiling, suspension, trussing). Deformations in the housing could allow for dust to enter into the fixture. Damaged rigging points or unsecured rigging could cause the fixture to fall and seriously injure a person(s).
- Electric power supply cables must not show any damage, material fatigue, or sediments.

NEVER remove the ground prong from the power cable.

FIXTURE OVERVIEW



INCLUDED ITEMS

- Omega Bracket
- Yoke Bracket Kit
- Power Cable

INSTALLATION INSTRUCTIONS

IPX4 RATED

An IP rated lighting fixture is commonly installed in outdoor environments and has been designed with an enclosure that effectively protects the ingress (entry) of external foreign objects such as dust and water. The **International Protection (IP)** rating system is commonly expressed as “IP” (Ingress Protection) followed by two numbers (i.e. IP20) where the numbers define the degree of protection. The first digit (Foreign Bodies Protection) indicates the extent of protection against particles entering the fixture, and the second digit (Water Protection) indicates the extent of protection against water entering the fixture.

An IPX4 rated lighting fixture has been designed for temporary outdoor environments. It has NOT been tested to protect against the ingress of dust (X) but has been tested to protect from splash of water in any direction (4).

PERMANENT OUTDOOR AND/OR MARINE/COSTAL INSTALLATIONS

Please note although this fixture is IP rated, this fixture is **NOT** suitable for permanent outdoor and/or marine environment installations. Installing this fixture in permanent outdoor and/or marine environment installation may cause corrosion and/or excessive wear to the interior and/or exterior components of the fixture. Damages and/or performance issues resulting from installation in a permanent outdoor and/or marine environment installation will void the manufacturer’s warranty and will **NOT** be subject to any warranty claims and/or repairs.



FLAMMABLE MATERIAL WARNING

Keep fixture at least 5.0 feet (1.5m) away from flammable material and/or pyrotechnics.



ELECTRICAL CONNECTIONS

A qualified electrician should be used for all electrical connections and/or installations.



ENSURE ALL CONNECTIONS AND END CAPS ARE PROPERLY SEALED WITH A NON-CONDUCTIVE DIELECTRIC GREASE (AVAILABLE AT MOST ELECTRICAL SUPPLIERS) TO PREVENT WATER INGRESS/CONDENSATION AND/OR CORROSION.



USE CAUTION WHEN POWER LINKING FIXTURES OF DIFFERING MODEL TYPES, AS THE POWER CONSUMPTION OF THESE DIFFERING MODELS MAY EXCEED THE MAXIMUM POWER OUTPUT RATING OF THIS FIXTURE. CHECK THE SILK SCREEN FOR MAX AMPERAGE.

INSTALLATION INSTRUCTIONS



DO NOT INSTALL THE FIXTURE IF YOU ARE NOT QUALIFIED TO DO SO!

Fixture **MUST** be installed following all local, national, and country commercial electrical and construction codes and regulations.

Before rigging/mounting a single fixture or multiple interconnected fixtures to any metal truss/structure or placing the fixture(s) on any surface, a professional equipment installer **MUST** be consulted to determine if the metal truss/structure or surface is properly certified to safely hold the combined weight of the fixture(s), clamps, cables, and accessories.

Maximum ambient operating temperature is **104°F. (40°C)**

Fixture(s) should be installed in areas outside walking paths, seating areas, or away from areas where unauthorized personnel might reach the fixture by hand.

NEVER stand directly below the fixture(s) when rigging, removing or servicing.

Overhead fixture installation must always be secured with a secondary safety attachment, such as an appropriately rated safety cable that can hold 10 times the weight of the fixture. Allow approximately 15 minutes for the fixture to cool down before serving.



TO MAINTAIN IP RATING INTEGRITY, ALL UNUSED CONNECTION RUBBER CAPS MUST BE SEALED.



INSTALLATION INSTRUCTIONS

OVERHEAD RIGGING

Overhead rigging requires extensive experience, including calculating working load limits, installation material being used, and periodic safety inspection of all installation material and the fixture, among other skills. If you lack these qualifications, DO NOT attempt the installation yourself. Improper installation can result in bodily injury and property damage.

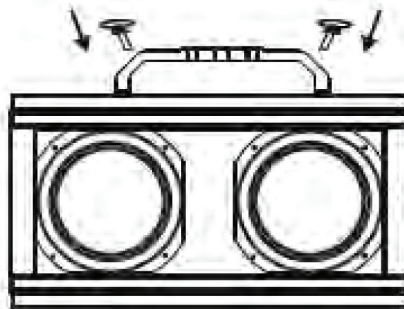
OMEGA BRACKET

The included Omega Bracket can be attached to either of the long edges (for a “horizontal” orientation). The best edge to attach the bracket to will depend on desired installation. Follow the installation steps below.



OMEGA BRACKET MUST BE USED WHEN CONNECTING FIXTURES TOGETHER!

1. Attach the Omega Bracket to the fixture using 2 of the 4 included interlocking pins.
2. To remove the interlocking pins, push in the spring-loaded pin, and turn clockwise or counter-clockwise until it releases from the fixture.
3. Slide the bracket into the alignment holes on the fixture.
4. Insert 2 interlocking pins into the fixture holes, making sure the pins go completely through the fixture and into the bracket. With the pins completely inserted, push the pins towards the fixture and turn clockwise or counter-clockwise to lock into place.
5. Confirm both pins and the bracket are secure before mounting the fixture with an appropriately rated professional grade rigging clamp.



INSTALLATION INSTRUCTIONS

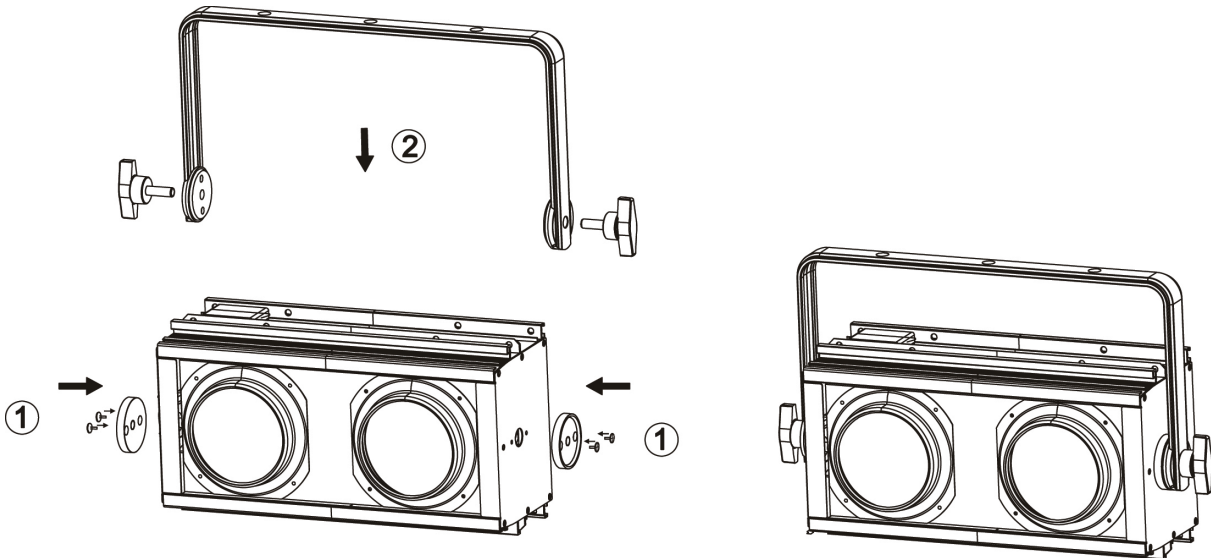
YOKE BRACKET KIT

The included Yoke Bracket Kit can be attached to the fixture using the included hardware. Follow the installation steps below.



YOKE BRACKET FOR SINGLE FIXTURE INSTALLATION ONLY! DO NOT USE WHEN CONNECTING MULTIPLE FIXTURES TOGETHER!

1. Attach the Yoke Bracket to the fixture using the included hardware.
2. Adjust the bracket into the desired position, then tighten adjustment knobs securely.
3. Mount the fixture with an appropriately rated professional grade rigging clamp.



INSTALLATION INSTRUCTIONS

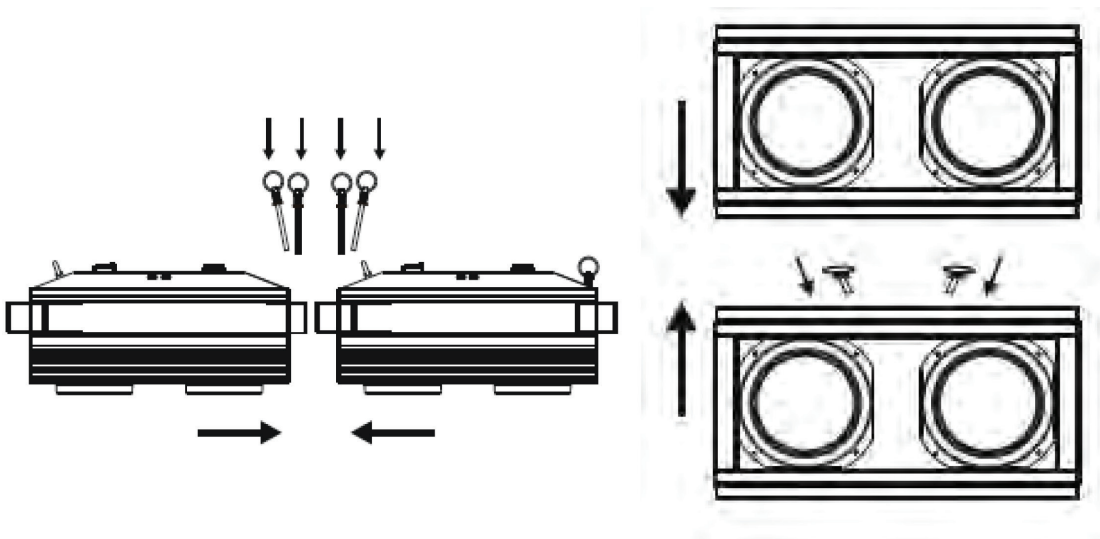
CONNECTING FIXTURES TOGETHER

The fixture includes a unique interlocking system which allows multiple fixtures to be connected together horizontally, using the 4 included spring-loaded interlocking pins on each fixture. Follow the installation steps below.



OMEGA BRACKET MUST BE USED WHEN CONNECTING FIXTURES TOGETHER!

1. Attach the Omega Bracket to the first fixture as described on the previous page.
2. Push out the spring-loaded bracket on the top and bottom edges of each fixture, then slide fixtures together and align the holes on both spring-loaded brackets on both fixtures.
3. Insert interlocking pins into the fixture holes, pushing pins completely through and turning clockwise or counter-clockwise to lock into place.
4. Repeat steps 5 and 6 to attach additional fixtures horizontally.
5. Confirm Omega Bracket on top fixture. Each fixture must be mounted with its own appropriately rated professional grade rigging clamp.



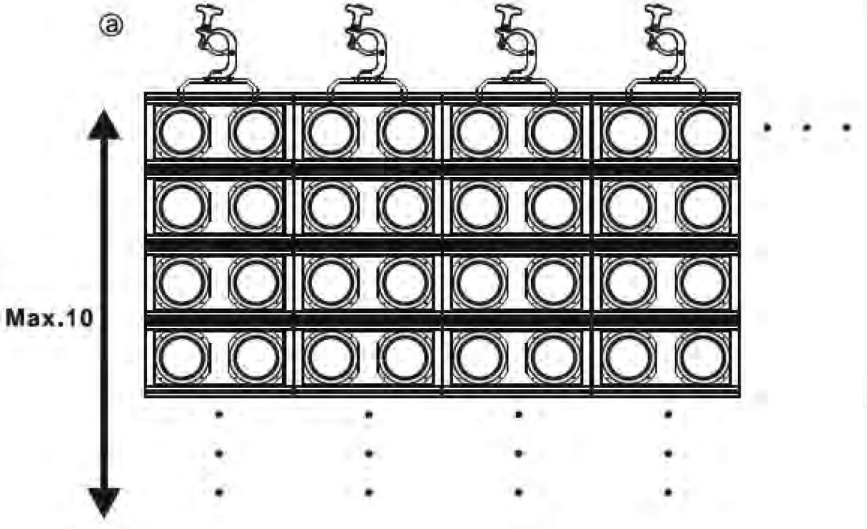
INSTALLATION INSTRUCTIONS

MAXIMUM NUMBER OF CONNECTING FIXTURES = 10

Each set of 10 fixtures must be attached to a structure which can support 10x the total weight of the entire assembly (10 x combined weight of 10 fixtures and any associated hardware and accessories). The first fixture in the chain must be attached to the structure using the Omega Bracket and an appropriately rated professional grade rigging clamp.



OMEGA BRACKET MUST BE USED WHEN CONNECTING FIXTURES TOGETHER!



INSTALLATION INSTRUCTIONS

SAFETY CABLES

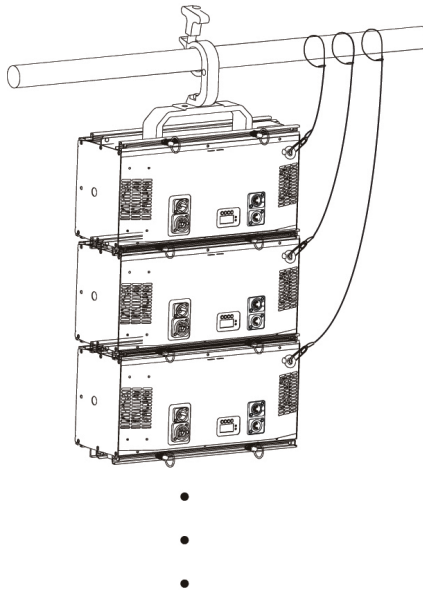
Each fixture includes a Safety Cable attachment loop on the back. All fixtures installed in an overhead configuration **MUST** always be secured with a dedicated secondary safety attachment, such as an appropriately rated safety cable that can hold 10 times the weight of the fixture.



WHEN INSTALLING THE FIXTURE IN A SUSPENDED ENVIRONMENT, ALWAYS ATTACH AN INDEPENDENT SAFETY CABLE BETWEEN THE TRUSS/STRUCTURE AND THE FIXTURE IN ORDER TO ENSURE THAT THE FIXTURE WILL NOT FALL IF THE CLAMP OR INTERLOCKING PINS FAIL!



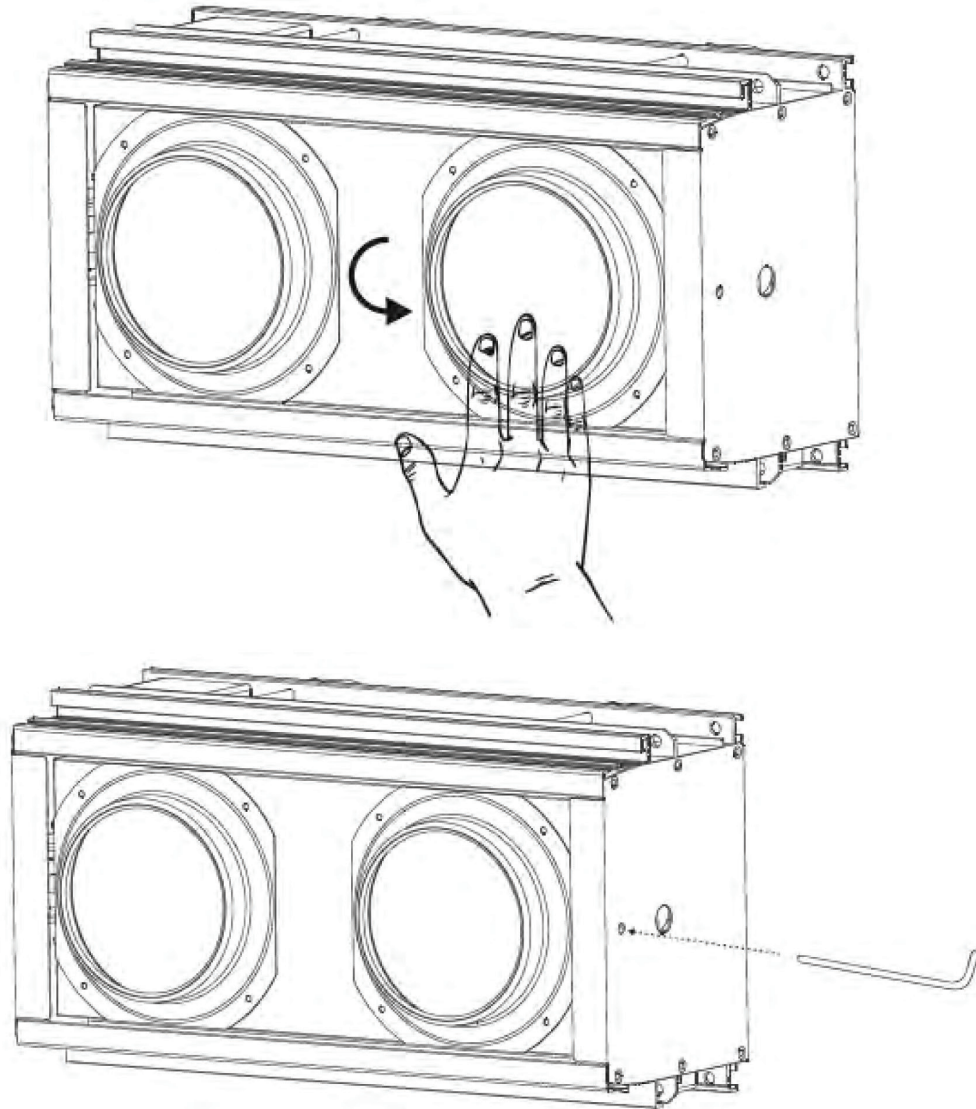
NEVER DAISY CHAIN MULTIPLE SAFETY CABLES TOGETHER BETWEEN MULTIPLE FIXTURES! EACH FIXTURE MUST HAVE ITS OWN INDEPENDENT SAFETY CABLE, AS SHOWN IN THE IMAGE BELOW!



INSTALLATION INSTRUCTIONS

ADJUSTING LED LENS POSITION DEGREE

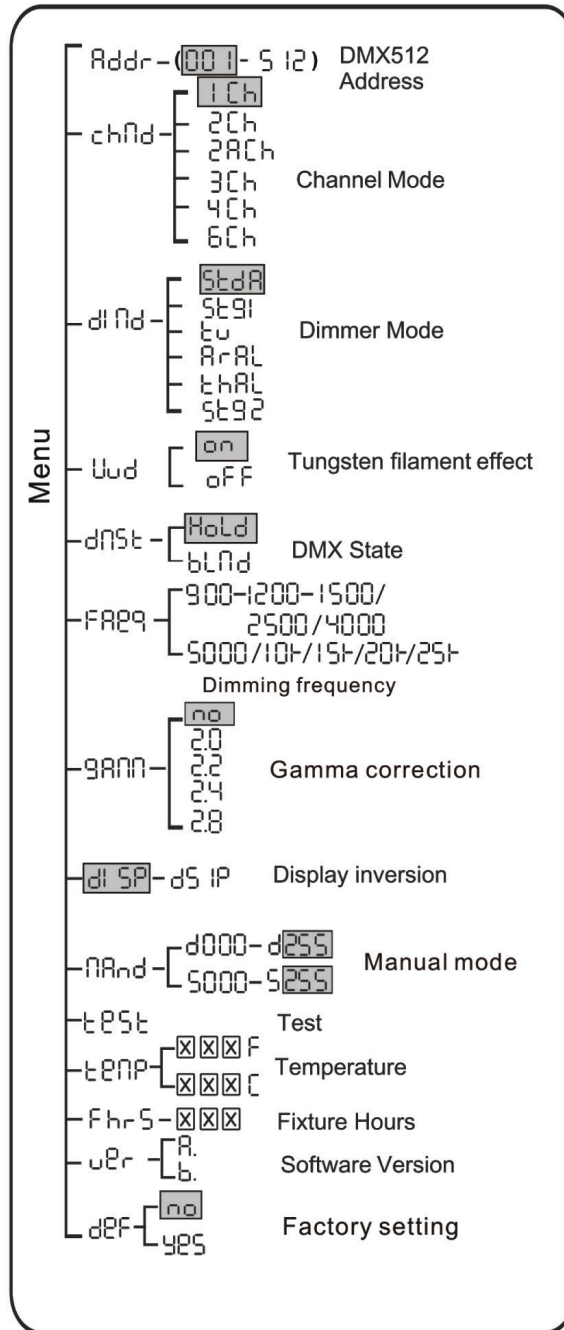
The LED lens position can easily be adjusted manually from the default 0-degree position, to 7.5+ or 15+ degrees (UP) and -7.5 and -15.0 degrees (DOWN). Simply push the LED lens array either UP or DOWN by hand until the desired angle is achieved. The LED lens array movement can be adjusted by loosening or tightening the small screw on the side of the fixture using a matching size hex key (not included).



SYSTEM MENU

The fixture includes an easy to navigate system menu where fixture settings can be adjusted via the LCD control panel located on the back of the fixture. (see image below) To access the system menu press and hold the MENU button for 3 seconds. The LCD Menu Control Display will shut OFF automatically about 1 minute from the last button press.

MENU	Select the program function
DOWN	Go forward in the selected function
UP	Go backward in the selected function
ENTER	Confirm selected function



SYSTEM MENU

Addr: DMX-512 Address Setting.

Select “Addr,” then press the ENTER button. When the display begins to blink, use the DOWN and UP buttons to change the DMX-512 address (001-512). Once the address has been selected, press the ENTER button to confirm, or press the MENU button to exit without making any change. The system will return to the main menu after 8 seconds of inactivity.

ChNd: Channel Mode.

Select “ChNd,” then press the ENTER button. Use the DOWN and UP buttons to select the channel mode from the following options:

- 1-Channel Mode
- 2-Channel Mode
- 2A-Channel Mode
- 3-Channel Mode
- 4-Channel Mode
- 6-Channel Mode

Once you have made your selection, press the ENTER button to confirm, or exit to the main menu without making any changes by pressing the MENU button. The system will return to the main menu after 8 seconds of inactivity.

dINd: Dimmer Curve.

Select “dINd,” then press the ENTER button. Use the DOWN and UP buttons to select from the following dimmer curves:

- Standard
- Stage
- TV
- Architec
- Theatre
- Stage2

Once you have made you selection, press the ENTER button to confirm, or press the MENU button to exit without making any changes. The system will return to the main menu after 8 seconds of inactivity.

Und: Tungsten Filament Effect.

Select “Und,” then press the ENTER button. Use the DOWN and UP buttons to select “on” or “off.” Once you have made your selection, press the ENTER button to confirm, or press MENU to exit without making any changes.

dNSt: DMX State.

Select “dNSt,” then press the ENTER button. Use the DOWN and UP buttons to select from the following options:

- “bLNd”: Blackout
- “HoLd”: Hold last state
- “NAnd”: Manual mode

Once you have made your selection, press the ENTER button to confirm, or press MENU to exit without making any changes.

SYSTEM MENU

FAeq: Dimming Frequency.

Select “FAeq,” then press the ENTER button. Use the DOWN and UP buttons to scroll through the available frequency settings (900 Hz, 1000 Hz, 1100 Hz, 1200 Hz, 1300 Hz, 1400 Hz, 1500 Hz, 2500 Hz, 4000 Hz, 5000 Hz, 10000 Hz, 15000 Hz, 20000 Hz, or 25000 Hz). Press ENTER to confirm your selection, or press MENU to exit without making changes.

gANN: Gamma Correction.

Select “gANN,” and press the ENTER button. Use the DOWN and UP buttons to scroll through the available gamma correction settings (No, 2.0, 2.2, 2.4, 2.6, or 2.8). Press ENTER to confirm your selection, or press MENU to exit without making changes. ***Please note that the 2.6 gamma correction setting was added with software update version 1.3.***

dISP: Display Invert.

Select “dISP,” and press the ENTER button. Use the DOWN and UP buttons to scroll between “dISP” (normal orientation) or “dSIP” (inverted orientation). Press ENTER to confirm your selection, or press MENU to exit without making changes.

NAnd: Manual Mode.

Select “NAnd,” and press the ENTER button. Use the DOWN and UP buttons to select the brightness (dxxx) or strobe (Sxxx). ***Please note that strobe is only available when the device is set to 4-Channel Mode or 6-Channel Mode.*** Press ENTER to confirm your selection, then use the DOWN and UP buttons to adjust the value between 000 - 255. Press ENTER again to confirm your selection, or press MENU to exit without making changes.

teSt: Auto Test.

Select “teSt,” and press the ENTER button. The unit will now run a built-in self-test program. Press the MENU button to return to the main menu, or wait ten seconds for the system to automatically return to the main menu.

tENP: Temperature Display.

Select “tENP,” and press the ENTER button. The device will now display the current temperature reading of the device. Press MENU to return to the main menu.

FhrS: Fixture Hours.

Select “FhrS,” and press the ENTER button. The device will now display the number of run time hours that have been logged. Press MENU to return to the main menu.

ver: Software Version.

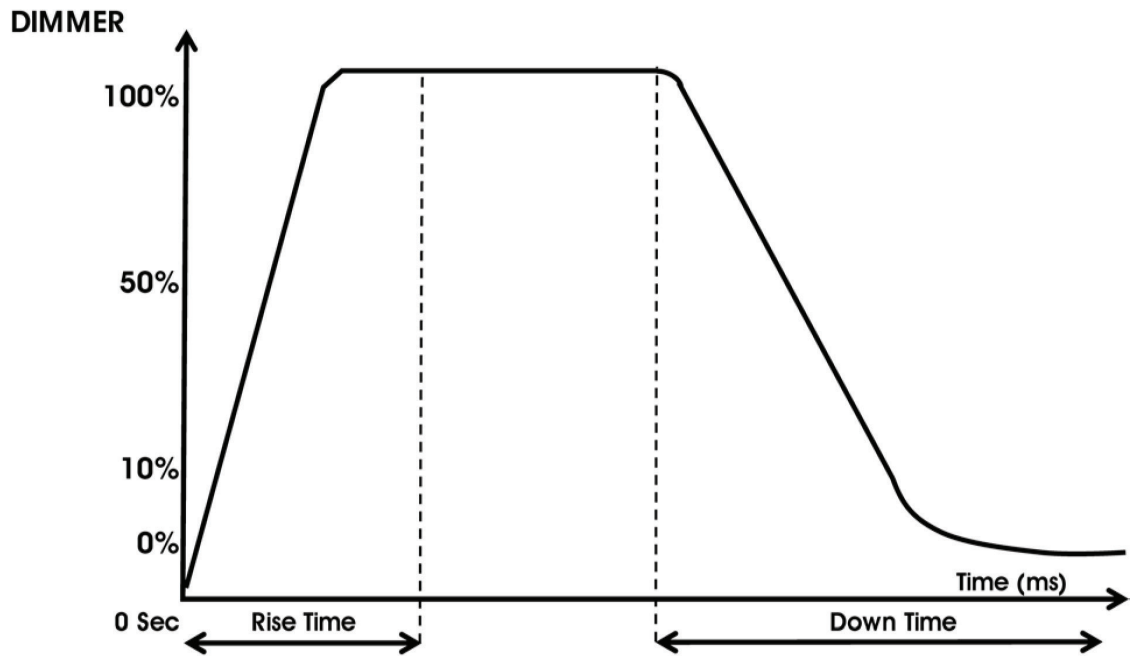
Select “ver,” and press the ENTER button. The device will now display the current software version of the unit. Press the MENU button to return to the main menu.

dEF: Factory Setting.

Select “dEF,” and press the ENTER button. Use the DOWN and UP button to scroll to either “YeS” to restore the device to factory settings, or “no” to exit without making changes. Press the ENTER button to confirm your selection.

DIMMING CURVE

The fixture includes 6 different dimming curve modes which can be selected from either the system menu or via DMX. The graph below provides details on each dimming curve mode.



Dimming Curve Ramp Effect	0 sec Fade Time		1 sec Fade Time	
	Rise Time (ms)	Down Time (ms)	Rise Time (ms)	Down Time (ms)
Standard (default)	0	0	0	0
Stage	780	1100	1540	1660
TV	1180	1520	1860	1940
Architectural	1380	1730	2040	2120
Theatre	1580	1940	2230	2280
Stage 2	0	1100	0	1660

DMX CHANNEL FUNCTIONS AND VALUES

CHANNEL						DMX VALUE	FUNCTION	
1CH	2CH	2ACH	3CH	4CH	6CH			
1	1		1	1		000 - 255	Master Dimmer - Left & Right Pixels, 0-100%	
	2		2	2		000 - 255	Dimmer Fine - Left & Right Pixels	
		1			1	000 - 255	Master Dimmer - Left Pixel, 0-100%	
		2			2	000 - 255	Master Dimmer - Right Pixel, 0-100%	
					4	000 - 255	Master Dimmer / Intensity, 0-100%	
					5	000 - 255	Master Dimmer / Intensity Fine	
				3	3		Shutter / Strobe	
						000 - 031	LED Off	
						032 - 063	LED On	
						064 - 095	Strobe Effect, slow to fast	
						096 - 127	LED On	
						128 - 159	Strobe Pulse Effect in Sequences, slow to fast	
						160 - 191	LED On	
						192 - 223	Random Strobe Effect, slow to fast	
				224 - 255	LED On			
			3	4	6		Dimming Modes	
							000 - 020	Standard
							021 - 040	Stage
							041 - 060	TV
							061 - 080	Architectural
							081 - 100	Theater
							101 - 120	Stage 2
				121 - 255	Default to Unit Setting			

SPECIFICATIONS

Voltage: 100-240V / 50/60Hz

LEDs: x2 110W CREE COB LEDs

Color Temperature: 2700K (1200K Tungsten Mode)

IP Rating: IPX4

Working Position: Any Safe Working Position

Power Draw: 235W

Power Linking: 4 Fixtures Max @120V | 8 Fixtures Max @240V

Fuse: 1A

DMX Channels: 6 DMX Channel Modes 1 / 2 / 2A / 3 / 4 / 6

Connections: 5pin DMX and Locking Power Cable In/Out

Control: RDM (Remote Device Management)

Weight: 15 lbs. (6.8kg)

Dimensions (LxWxH): 15.7" (400mm) x 7.9" (200.5mm) x 8.5" (215.5mm)

Dimensions w/Bracket (LxWxH): 15.7" (400mm) x 7.9" (200.5mm) x 10.4" (264mm)

Dimensions w/Yoke (LxWxH): 19.8" (503mm) x 7.9" (200.5mm) x 12.8" (325.3mm)

Warranty: 2 Years (730 Days)

Approvals / Ratings: CE Certified

Specifications and improvements in the design of this unit and this manual are subject to change without notice.

FCC STATEMENT

This device complies with Part 15 of the FCC Rules. Operation is subject to the following two conditions: (1) this device may not cause harmful interference, and (2) this device must accept any interference received, including interference that may cause undesired operation.

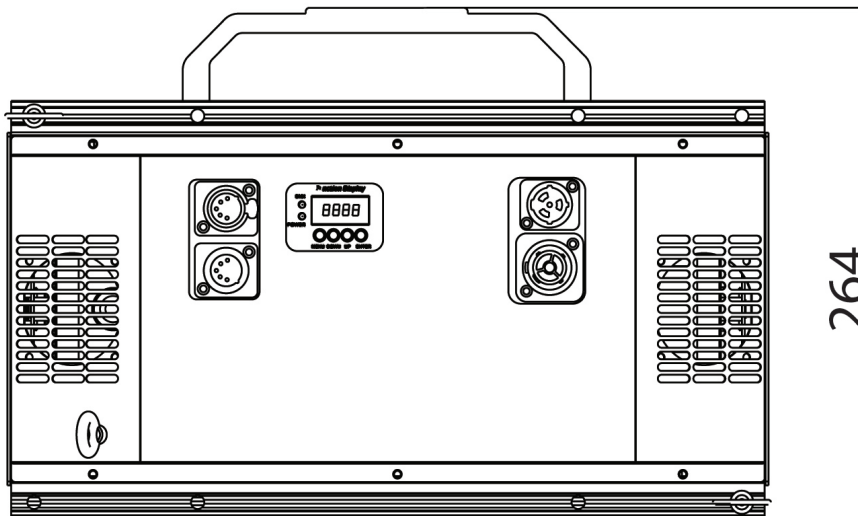
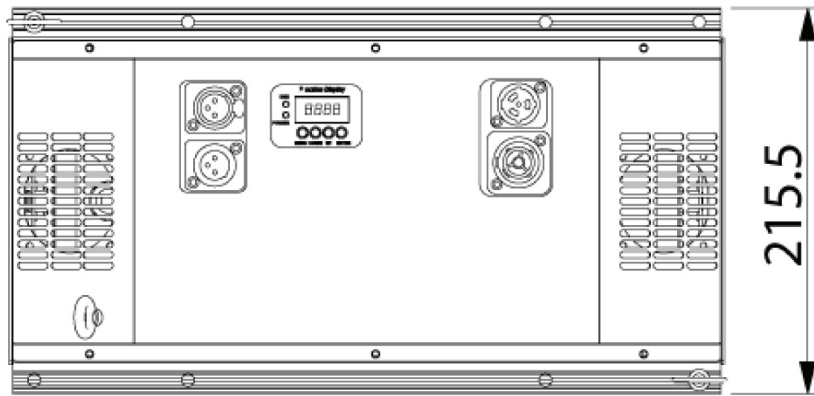
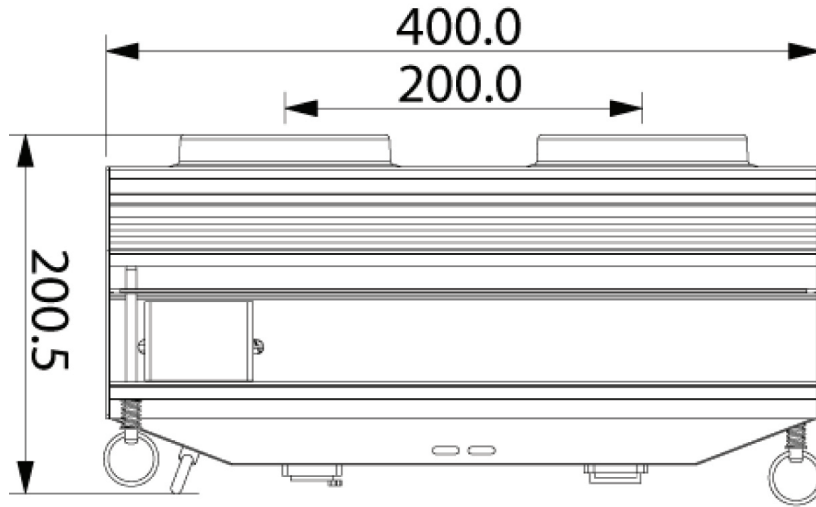
FCC RADIO FREQUENCY INTERFERENCE WARNINGS & INSTRUCTIONS

This product has been tested and found to comply with the limits as per Part 15 of the FCC Rules. These limits are designed to provide reasonable protection against harmful interference in a residential installation. This device uses and can radiate radio frequency energy and, if not installed and used in accordance with the included instructions, may cause harmful interference to radio communications. However, there is no guarantee that interference will not occur in a particular installation. If this device does cause harmful interference to radio or television reception, which can be determined by turning the device off and on, the user is encouraged to try to correct the interference by one or more of the following methods:

- Reorient or relocate the device.
- Increase the separation between the device and the receiver.
- Connect the device to an electrical outlet on a circuit different from which the radio receiver is connected.
- Consult the dealer or an experienced radio/TV technician for help.



DIMENSIONAL DRAWINGS



DIMENSIONAL DRAWINGS

